

# DCW604 Motor ROUTER 1

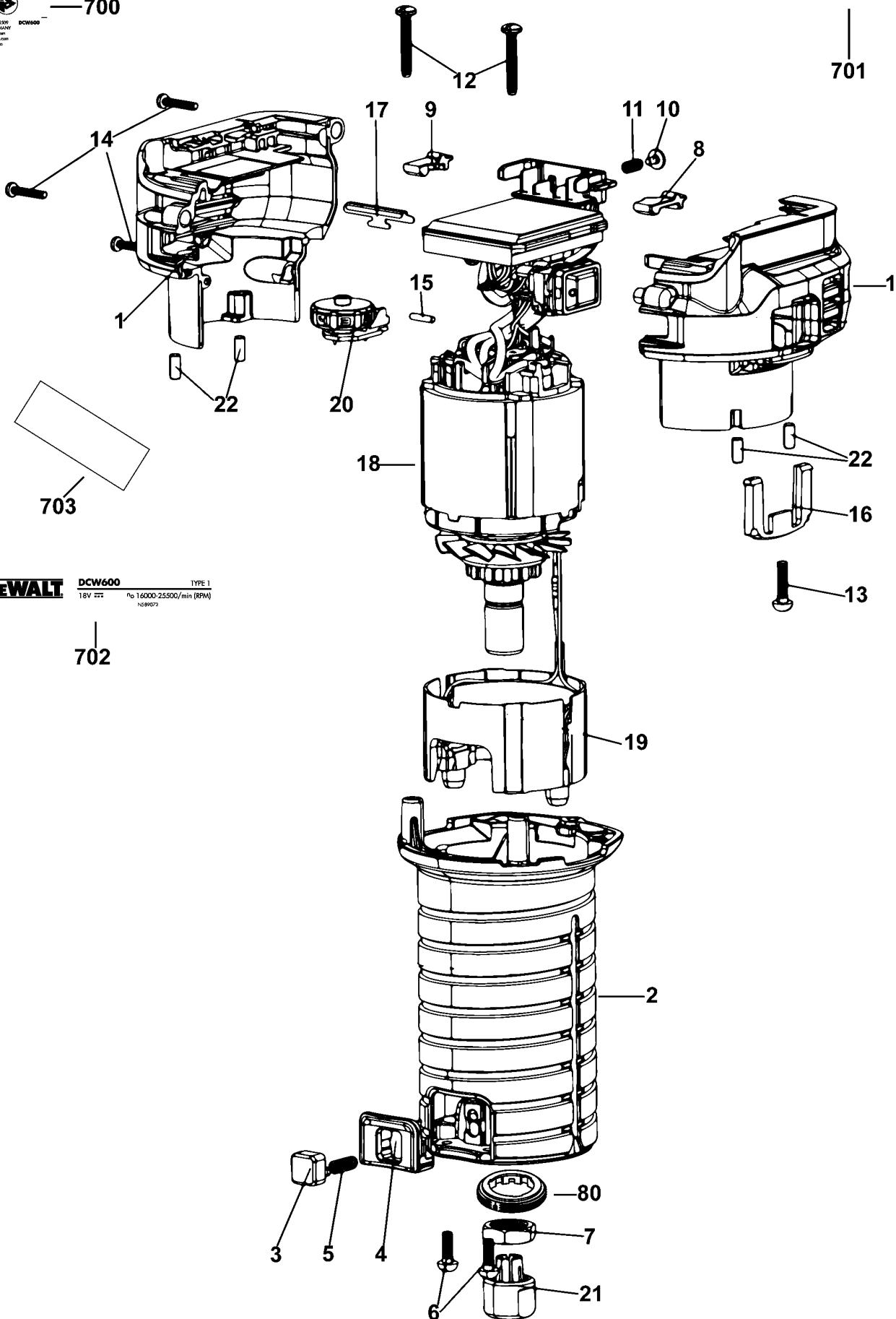
**DEWALT**



— 700

DEWALT, D45399  
©2014, COLUMBIANA  
www.Dewalt.com  
www.Dewalt.com  
Made in Mexico  
NS89073

CE ENE NS89073



**DEWALT**

DCW600 TYPE 1  
18V No 16000-25500/min (RPM)  
NS89073

DEWALT

705

704

85

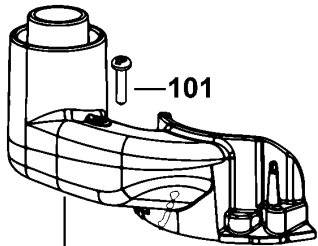
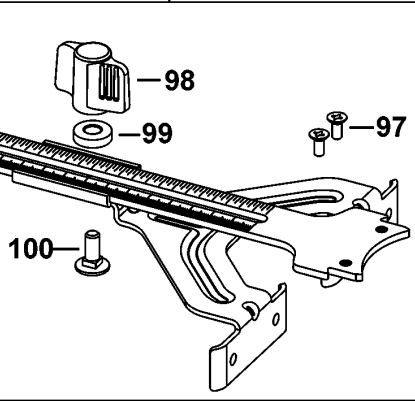
41

98

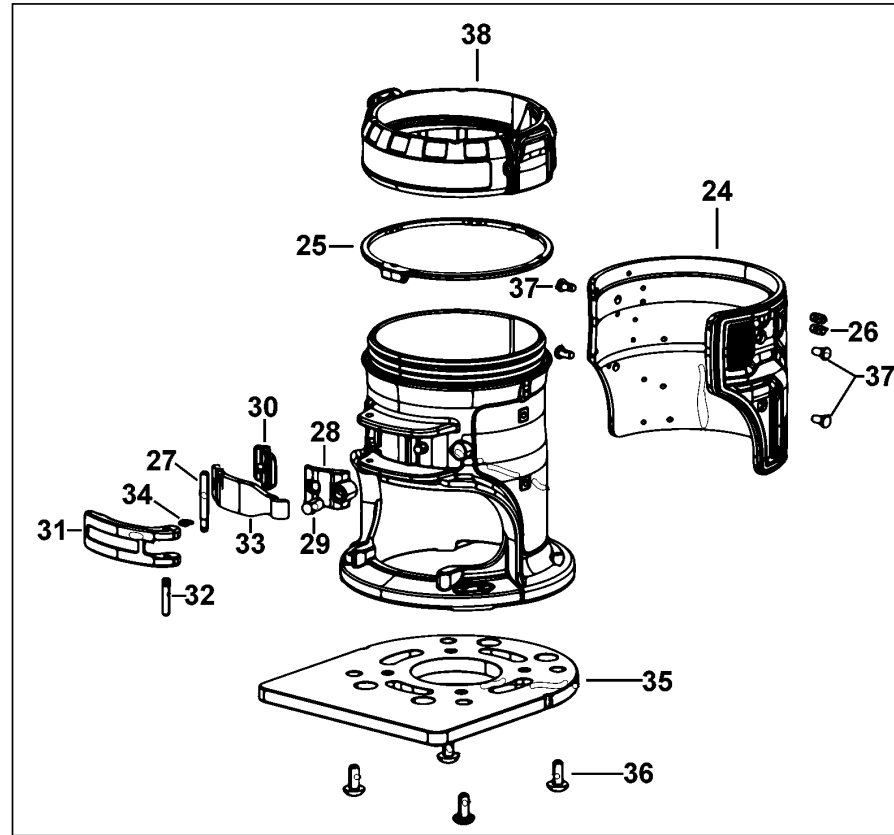
99

97

100



39



38

25

24

37

26

37

23

30

28

29

27

34

33

31

32

35

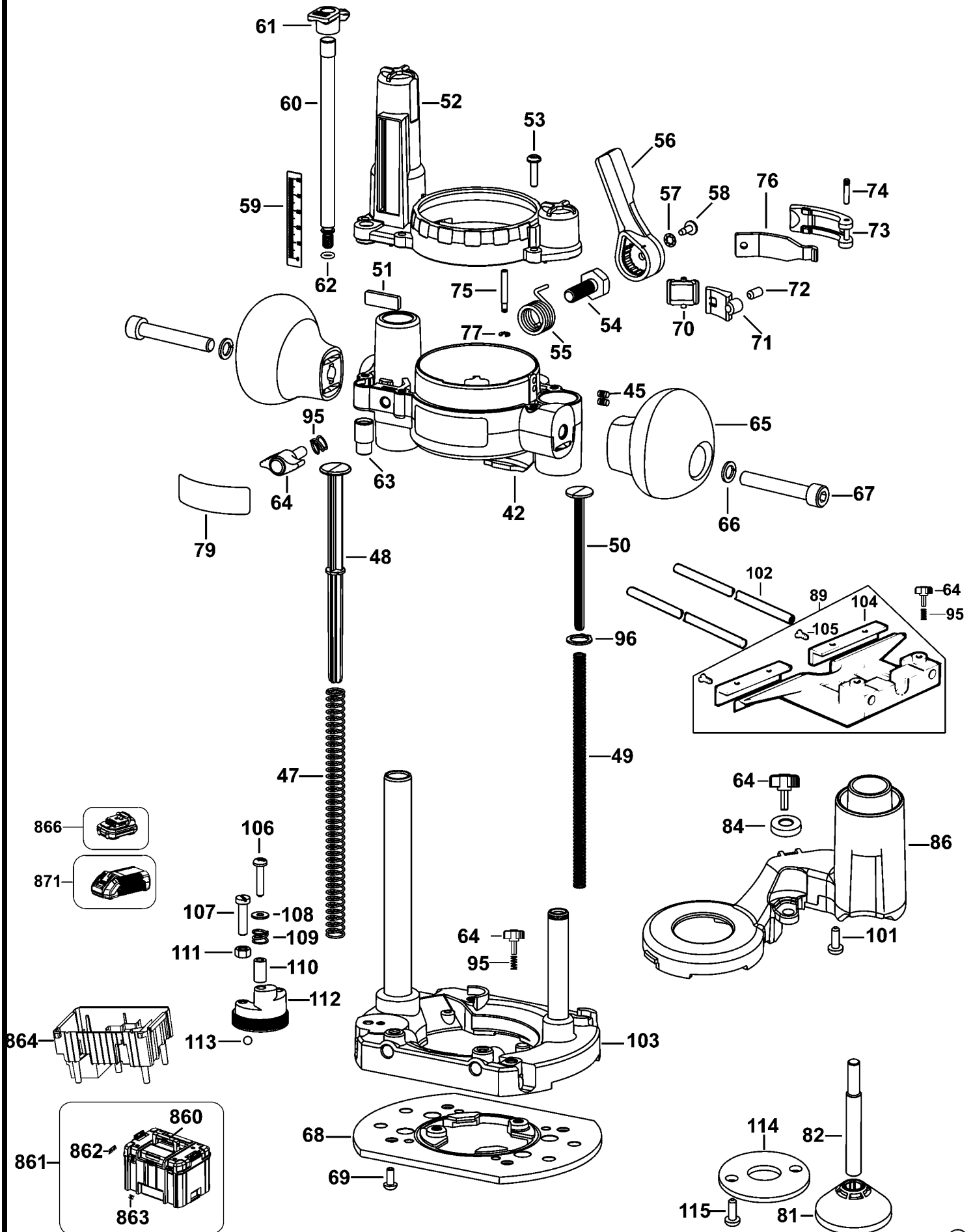
36

40

©

DCW604 Main unit ROUTER 1

# DCW604 Attachments ROUTER 1



## Parts List DCW604 ROUTER 1

Item	Part Number	Qty	Part Description	General Description	Other Info	Repair Inst	Markets
1	N567094	1	HOUSING SA			No	
2	N661051	1	HOUSING MOTOR			No	
3	N038183	1	LOCK BUTTON			No	
4	A26131	1	INSERT			No	
5	A23489	1	SPRING			No	
6	330065-06	2	SCREW	M4 X 12 T20		No	
7	A25248	1	NUT			No	
8	N239160	1	BUMPER	FOOT		No	
9	N239159	1	BUMPER	FOOT		No	
10	N122099	1	BLOCK			No	
11	N461735	1	SPRING			No	
12	330045-08	2	SCREW	M4X25 T20		No	
13	330065-07	1	SCREW	M4 x 16mm		No	
14	682211-00	3	SCREW			No	
15	N071836	1	ROLL PIN			No	
16	N569455	1	CLIP			No	
17	N467560	1	PLATE			No	
18	N740030	1	MOTOR SA	EURO		No	QW
19	N580684	1	LED LIGHT			No	
20	N550971	1	WHEEL SPEED			No	
21	326286-00	1	COLLET & NUT SA	8mm		No	QS
22	N703257	4	PIN			No	
23	N742993	1	HOUSING SA			No	
24	N591239	1	COVER			No	
25	A23587	1	INDICATOR			No	
26	N042079	2	PIN			No	
27	A24452	1	PIN			No	
28	A24764	1	ADJUSTER			No	
29	330022-18	1	SCREW			No	
30	A24767	1	PAD			No	
31	A24771	1	CLAMPING BAR	W/OUT PIN		No	
32	A24770	1	PIN			No	
33	A27362	1	SPRING			No	

## Parts List DCW604 ROUTER 1

Item	Part Number	Qty	Part Description	General Description	Other Info	Repair Inst	Markets
34	N028373	1	RETAINER			No	
35	A27941	1	BASEPLATE	D		No	
36	N029178	4	SCREW	M4 10 PAN HD		No	
37	N587924	4	PIN			No	
38	N693104	1	ADJUSTER HEIGHT			No	
39	A28678SV	1	ADAPTOR	VACUUM		No	
40	N092764	1	BASE SA	O		No	
41	N026733	1	GUIDE SA			No	
42	N095608	1	CARRIER SA			No	
45	N042079	2	PIN			No	
47	N037001	1	SPRING			No	
48	N034346	1	GUIDE			No	
49	A29112	1	SPRING			No	
50	A29651	1	GUIDE			No	
51	N027873	1	PLATE			No	
52	N029880	1	COVER			No	
53	330045-06	5	SCREW	M4 X 0.7 THD FORM		No	
54	N029497	1	BOLT	M8 X 1.25 X30 LH		No	
55	N029508	1	SPRING			No	
56	N027646	1	LEVER			No	
57	608298-00	1	WASHER SPECIAL			No	
58	324007-10	1	SCREW	M4 x 10		No	
59	N032095	1	SCALE	METRIC		No	
60	A28031	1	ROD			No	
61	N031168	1	ADJUSTER			No	
62	N027984	1	O RING	0.176 X 0.07		No	
63	N027987	1	ADJUSTER			No	
64	608930-00	6	SCREW			No	
65	397560-00	2	KNOB			No	
66	098197-09	2	WASHER			No	
67	607395-00	2	SCREW			No	
68	N029742	1	BASEPLATE			No	
69	N029178	4	SCREW	M4 10 PAN HD		No	

## Parts List DCW604 ROUTER 1

Item	Part Number	Qty	Part Description	General Description	Other Info	Repair Inst	Markets
70	A24767	1	PAD			No	
71	A24764	1	ADJUSTER			No	
72	330022-18	1	SCREW			No	
73	A24771	1	CLAMPING BAR	W/OUT PIN		No	
74	A24770	1	PIN			No	
75	A24452	1	PIN			No	
76	A27362	1	SPRING			No	
77	N028373	1	RETAINER			No	
79	N029502	1	BRAND LABEL			No	
80	A25250	1	NUT LH	M37 X 1.5 LH		No	
81	A27315	1	CONE			No	
82	A27316	1	PIN			No	
84	N028927	1	WASHER			No	
85	A27895	1	WRENCH SPECIAL	17MM		No	
86	A29660	1	ADAPTOR			No	
89	948651-00	1	FENCE SA			No	
95	609118-00	6	SPRING			No	
96	684179	1	RING			No	
97	945121-00	2	SCREW.TEMP	M4 x 10		No	
98	147107-00	1	KNOB			No	
99	N028927	1	WASHER			No	
100	931405-00	1	SCREW			No	
101	330065-08	3	SCREW	M4 X 18 T20		No	
102	868080-00	2	ROD			No	
103	N095607	1	BASE SA			No	
104	249090-00	2	GUIDE			No	
105	860205-04	4	SCREW	M4 x 8		No	
106	330045-07	1	SCREW	M4*20 T20		No	
107	608928-00	1	SCREW	M5 X 20		No	
108	653599-00	1	WASHER			No	
109	652834-00	1	SPRING			No	
110	652835-00	1	SPACER			No	
111	330015-04	1	NUT			No	

## Parts List DCW604 ROUTER 1

Item	Part Number	Qty	Part Description	General Description	Other Info	Repair Inst	Markets
112	326976-01	1	TURRET			No	
113	652836-00	1	BALL			No	
114	249014-01	1	BUSH			No	
115	945121-00	2	SCREW.TEMP	M4 x 10		No	
700	N589075	1	WARNING LABEL			No	
701	N589073	1	WARNING LABEL			No	
702	N589072	1	RATING PLATE	EURO		No	QW
703	N589077	1	BRAND LABEL	18V		No	
704	N589078	1	LABEL	BRUSHLESS		No	
705	A28466	1	IDENTITY LABEL			No	
860	H1400196008	1	HANDLE			No	
861	N445186	1	KITBOX	TSTAK VI	DCW604NT	No	
862	H1500082520	2	LATCH			No	
863	P910190	2	LATCH			No	
864	N593656	1	INSERT	KITBOX		No	
866	N394624	1	BATTERY 18V - 5.0AH - 90WH	Li-Ion - DCB184-XJ	DCW604P2	No	QW
871	N450536	1	CHARGER (EURO)	DCB115-QW - 4.0A		No	QW